

**GENERAL RECOMMENDATIONS**

RECOMMENDATION FOR STORAGE

- Store panels indoors. Stack them horizontally over 3 wooden strips.
- Avoid blows that could damage panel edges.

*ARAUCOPLY CLADDING*

RECOMMENDATION FOR INSTALLATION

- After cutting, seal the edges with oil paint or enamel
- It is recommended that you always use stainless steel or silicon bronze fasteners.
- Always use extruded aluminum flashings that have been tested by BRANZ for weather tightness.
- Never nail inside the groove when using either the deep groove or shallow groove panels.
- For exterior applications, AraucoPly Cladding must always be vertically installed.
- AraucoPly Cladding should be sealed and protected with at least two coats of Premium exterior acrylic paint, soon after purchase and preferably before being exposed to weather.
- AraucoPly Cladding should be properly maintained on a regular basis. Keep it clean and follow the paint manufacturer’s specifications for paint maintenance.

**SPECIFIC RECOMMENDATIONS**

RECOMMENDATIONS FOR WORK AND FINISHES

Edge Sealing:

All plywood panels experience faster moisture penetration through panel ends and edges. As a result, ends and edges should be sealed. Edge sealers help to minimize sudden changes in panel moisture content due to normal weather changes after installation.

Surface Preparation:

Panel surfaces should be free from dirt and loose wood fibres. All finishes should be applied as soon as possible after panel installation. Apply finishes during good weather and always follow the finish manufacturer’s specific application recommendations for plywood products. Use only first quality finishes and follow the application rates recommended by the finish manufacturer.

Rough or band sawn surfaces may require up to twice as much finish as smooth or scratch sawn surfaces. The initial coat should be applied by brush. Sprayed on finishes should be either back brushed or back rolled while wet. Additional coats may be applied conventionally.

### Recommended Finishes:

**Solid Colour Stains:** Two coats of a high quality oil base or latex opaque stain help mask colour variations between wood repairs and the surrounding wood. Face grain is also masked with opaque stains but allows rough sawn textures to remain visible. It is also recommended that the desired finish be applied to a representative panel sample which contains typical colour variations and repairs to ensure that the panel's finished appearance is acceptable.

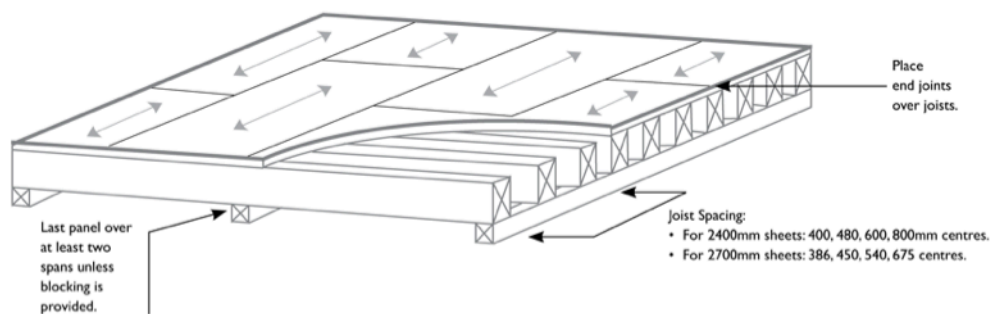
**Acrylic Latex Paint:** If a painted finish is desired, an acrylic latex paint system composed of at least one stain resistant primer coat and topcoat is recommended for textured cladding. Acrylic latex produces a durable finish that masks textured surfaces more than an opaque stain and can obscure grain and colour differences. Again, it is important that you follow the paint manufacturer's recommendations for plywood cladding application.

## RECOMMENDATIONS FOR INSTALLATION

### Flooring

A plastic tongue and groove down the length of the board makes for easy joining of the product over joists and means that no support is needed on these joins unless otherwise specified by the engineer where roof diaphragm bracing or significant point loading is a consideration. AraucoPly® Flooring should always be laid perpendicular to the joists to ensure the maximum strength of the product is maintained.

### ARAUCO FLOORING LAYOUT



### Roofing

This product has a plastic tongue and groove down the long edge of the sheet to allow for easy joining of the product over roof trusses. Sheets should always be laid perpendicular to the roof truss to ensure that the maximum strength of the product is maintained.

If treated AraucoPly® Roofing is installed after it has been cut, it is vital that the cut edge be sealed with a remedial preservative treatment such as Metalex Green End Seal. This also applies to any penetrations in the middle of the sheet such as pieces, vents or skylights. When fixing the sheets to

---

the roof, make sure that you stagger the joints of the sheets. 50mm ring shank or annular grooved 2.8mm nails at 150mm centres should be used when fixing the sheets and stainless steel fixings are recommended for any coastal areas. Around the edge of the roof, at gable ends, eaves or gutters, the sheets must be properly supported and fixings should be at 100mm centres. In high wind zones it is recommended that stainless steel screws are used.

---